



LG (K35c Harness Kit)
BluKey Serial Protocol
Installation Manual



BluKey™ Pro Serial

Preparing the Machine for Installation

- **Machine Power:** Ensure the laundry machine is disconnected from its power source.
- **Installer Connectivity:** For BluKey registration, confirm your smartphone has a stable internet connection (Wi-Fi or cellular data) to use the PayRange App.
 - PayRange service requires data connection on a user's mobile device.
- **Required PayRange Hardware:** Ensure you have the correct harnesses and sufficient BluKey devices on hand to complete installations on all machines at the location.



Figure 1

Machine Out of Order

- If the machine has **power**, register and connect to the BluKey and harness as usual.
- If the machine has **no power**, use another machine to power and register the BluKey. Use the Machine ID, position number, and harness type for the out-of-order machine
- Leave the registered BluKey in the first machine. Once the broken machine is repaired or replaced, retrieve the device and install it in the correct machine.



Figure 2

BluKey Configuration Steps

Serial Mode: Use this mode when the machine is configured to accept serial or card-based input. Serial Mode installations require the **BluKey Pro** model.

- Connect the BluKey Pro to the **C15: LG-Serial Harness** as depicted in **Figure 3**.

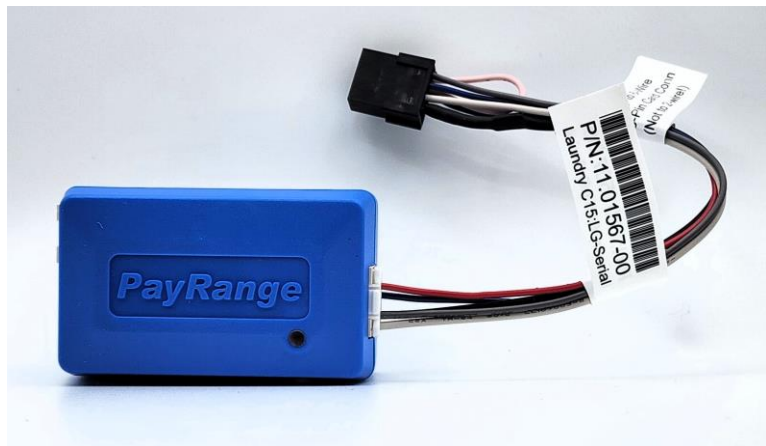


Figure 3

Harness Installation:

1. If not done so already, **disconnect** the machine from its **power** source.
 - a. Connect the BluKey to the harness.
2. **Open** machine **control panel** to access the machines harness bundle behind the display.

3. Connect the **C15** harness adapter to the machine's **6-Wire 8-pin Connector**, see **Figure's 4 & 5**.

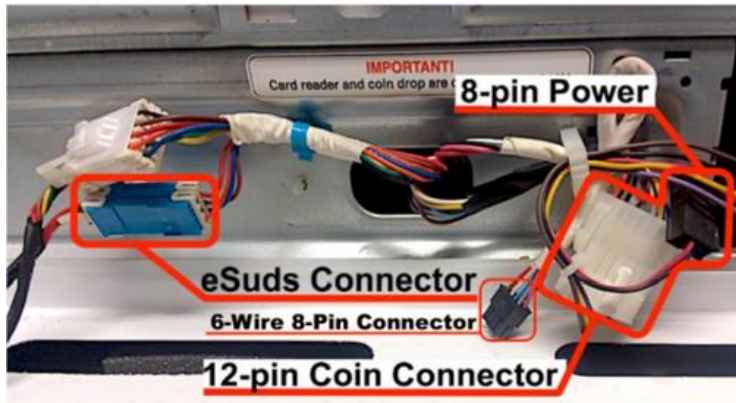


Figure 4



Figure 5

4. If the machine is using an **ESD card reader**:
 - a. **Disconnect** the **ESD** card reader harness from the machine's 6-Wire 8-pin connector.
 - b. **Connect** the **C15** harness adapter to the machine's 6-Wire 8-pin connector.
 - c. **Connect** the **ESD** card reader harness to the **R6** harness from the PayRange K35c kit.
 - d. **Connect** the white ends of the **C15** and **R6** harness adapters to each port on the BluKey Pro, see **Figure 6**.



Figure 6

5. **Power on** the machine

Affixing Machine Decals

(Refer to the signage/decal placement reference guide for complete placement details)

- Number machines left-to-right and top-to-bottom to make it easier for customers to locate machines.

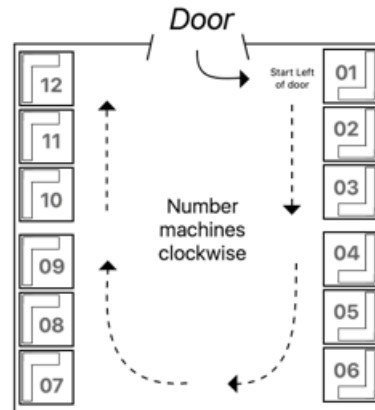


Figure 7

- For stacked machines that require two devices, top machine should be lower number.



Figure 8

Register BluKey with PayRange App

Refer to the “*Registering the PayRange BluKey*” reference guide for the complete steps for registration.

- Be sure to select the specific harness type during registration; in this case, select the **C15-LG** (see **Figure 9**).
- Under Protocol, select **LG-Serial**.

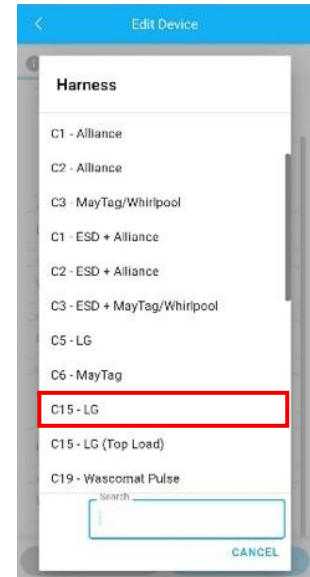


Figure 9

Test Transaction

1. On the main screen in the PayRange App, select the machine you wish to test payment on.
2. Slide the **Green** arrow to the right to send a test transaction payment (**Figure 10**).
3. Verify the machine’s display shows the PayRange balance or value of free purchase code (**Figure 11**).
4. Press Start on the machine to begin the cycle or press the X in the PayRange App to cancel the transaction. The account will not be charged for a cancelled transaction.
 - If the test transaction is unsuccessful, refer to the “*PayRange Troubleshooting Guide*”.



Figure 10



Figure 11

Repeat Steps for All Machines Requiring the K35c Harness Kit.